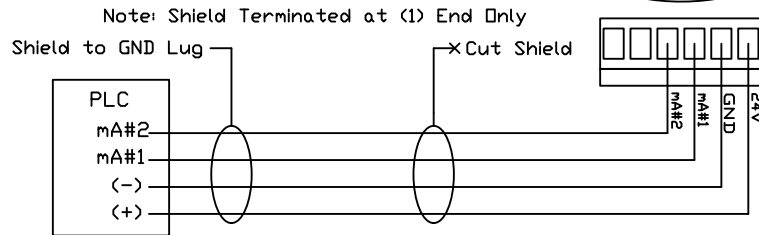
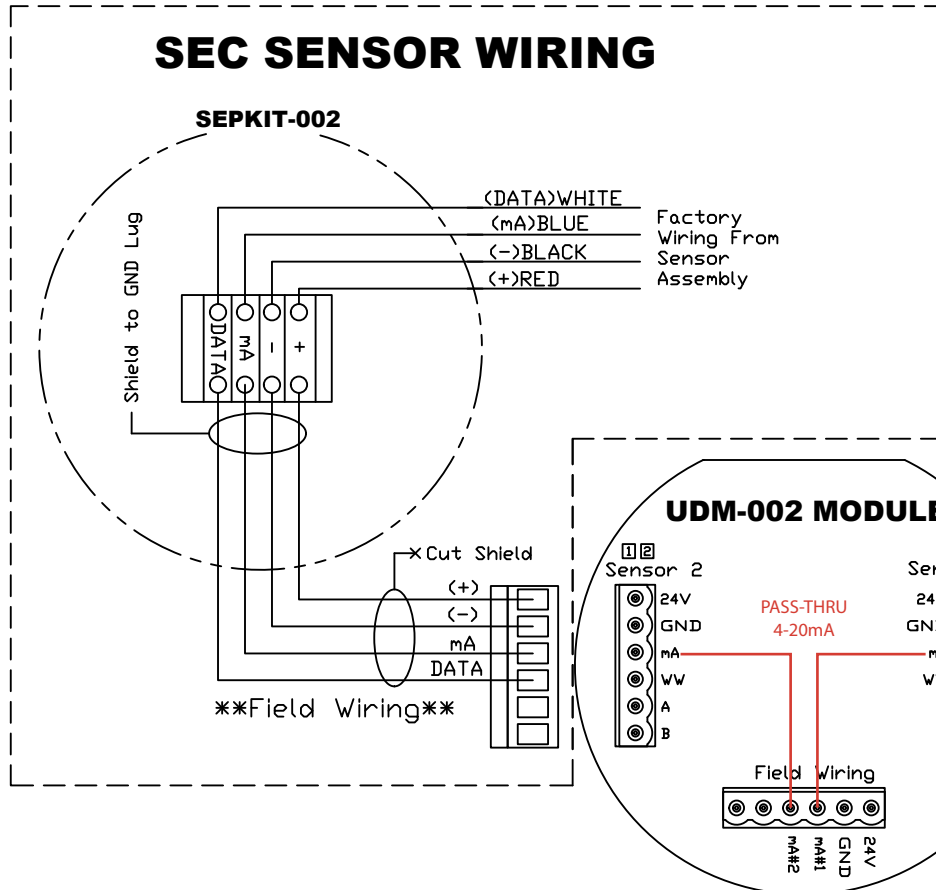


# UNIVERSAL DISPLAY MODULE - SENSOR SEPARATION WIRING DIAGRAM

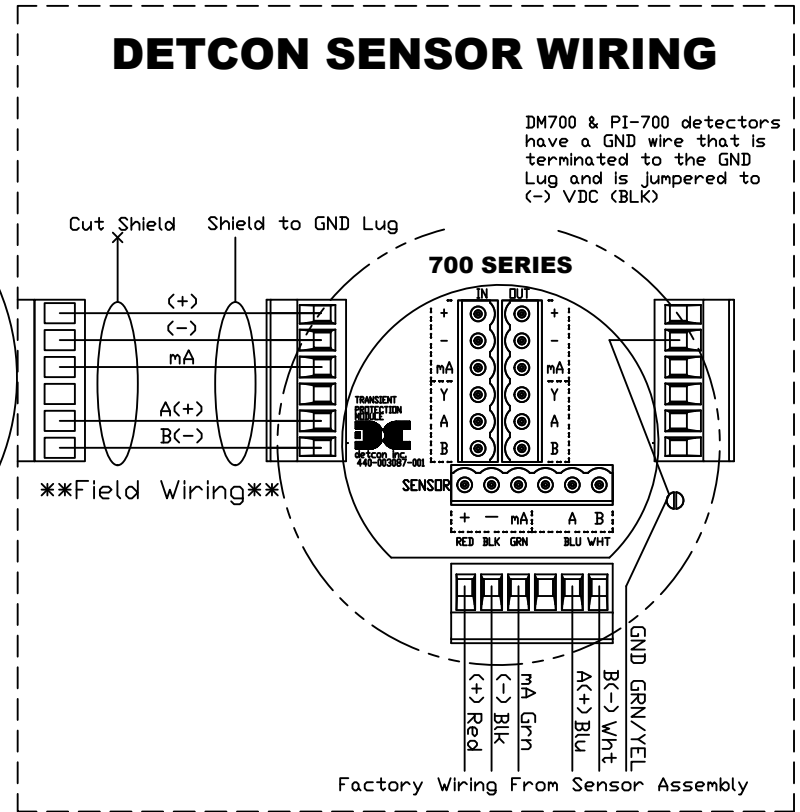
\*\* Two Channel UDM (UDM-002) shown for illustration purposes \*\*

## SEC SENSOR WIRING



\*\*Field Wiring\*\*

## DETCON SENSOR WIRING



### Notes:

- All compatible detectors can be connected to either channel 1 or 2
- For UDM-001(single channel) compatible sensors can only be connected to channel 1
- Detcon sensors cannot be daisy-chained through the TPB when using the UDM module

1	08/24/21	UDM				1	
Rev	DATE	DESCRIPTION	DRN	CHKD	APPD	DWG NO.	SUBJECT

REVISION HISTORY

REF. DWGS

CLIENT:		UDM-002 Wiring Diagram (SEC & Detcon Sensors w/ Sensor Separation)	
PROJECT: UDM		SCALE: NTS	DRAWING NO.:
DRAWN BY: ZK	SALES ORDER NO.:	DRAWING NO.:	
FIRST ISSUE:	SIZE:	REV: 3	